



# Otsego County Road Commission

## OTSEGO COUNTY ROAD COMMISSION

Beckett Road over S Br Pigeon River (Duck Creek) Material Bid  
Chester Township, Otsego County

### NOTICE TO BIDDERS

The Otsego County Road Commission will accept Bids until **9:00 a.m.** local time on **May 29, 2023** at: 669 W McCoy Road, Gaylord, MI 49735.

**ALL BIDS WILL BE SEALED AND PLAINLY MARKED AS TO THE PROJECT AND PROJECT NUMBER.**

Provide an 85' long CSP Pipe Arch Culvert 117 inch by 79 inch delivered to the project site.

*The bidder has examined the plans, specification, special provisions and related materials in the proposal, as well as the location of the work described in the proposal for this project, and is fully informed as to the nature of the work and conditions relating to its performance and understands that the quantities shown are approximate only and are subject to wither increase or decrease.*

*The bidder hereby proposes to furnish all necessary machinery, tools, apparatus and other means of construction, do all the work, furnish all the materials except as otherwise specified and, or each unit price, lump sum, or one each named in the itemized bid, to complete the work in strict conformity with the plans therefore and the entire proposal which is incorporated by reference in these pages, and in strict conformity with the requirements of the 2020 Standard Specifications for Construction, Michigan Department of Transportation and such other special provisions and supplemental specifications as may be part of the proposal for this project.*

*The bidder further proposes to do such extra work as may be authorized by the Otsego County Road Commission, prices for which are not included in the itemized bid. Compensation shall be made on the basis agreed upon before such extra work is begun.*

**THE BIDDER UNDERSTANDS AND AGREES THAT THE OTSEGO COUNTY ROAD COMMISSION RESERVES THE RIGHT TO REJECT ANY AND ALL BIDS AND NO CONTRACTUAL RELATIONSHIP SHALL EXIST BETWEEN THE BIDDER AND THE OTSEGO COUNTY ROAD COMMISSION FOR THE WORK DESCRIBED HEREIN UNTIL SUCH TIME AS THE CONTRACT HAS BEEN FORMALLY EXECUTED BY BOTH THE BIDDER AND THE OTSEGO COUNTY ROAD COMMISSION.**

## **INSTRUCTIONS AND CONDITIONS**

### **NON-DISCRIMINATION CLAUSE**

The Contractor, including any subcontractors, shall not under this contract discriminate against any qualified person with a disability or any person based on race, color, national origin, sex, age, or limited English proficiency. The Road Commission's non-discrimination requirements apply to all road construction projects regardless of funding source.

### **SUBCONTRACTORS**

Whenever the primary contractor employs subcontractors for any part of the job, those subcontractors shall be listed by name in the appropriate bid section. No unnamed subcontractor shall be substituted for a named subcontractor without Road Commission consent, which may or may not be granted. The Contractor is responsible for subcontractor's performance.

### **HOLD HARMLESS AGREEMENT**

The bidder shall hold the OCRC harmless against all claims for damages or injuries specifically resultant from and attributable to the contractor's (or subcontractor's) work on this project. By signing this bid, the bidder agrees to all provisions of the hold harmless and insurance requirements.

### **INSURANCE: WORKERS COMPENSATION**

See attached Contract Agreement for specific requirements.

### **MARK ENVELOPES**

All bids shall be in sealed envelopes plainly marked as to project name and bidder's name.

### **BID PRICE AND WITHDRAWAL**

Bid price shall include all labor, equipment, and material costs to complete the proposed work, unless otherwise noted. All bids shall be firm for 30 days from bid opening.

### **RIGHT TO REJECT**

The OCRC reserves the right to reject any or all bids but will only award in the best public interest.

### **PAYMENT**

See attached Contract Agreement.

### **Standard Specifications**

The improvements covered by this proposal shall conform to **Michigan Department of Transportation 2020 Standard Specifications and the 2011 Michigan Manual of Uniform Traffic Control Devices**, as amended by Supplemental Specifications and Special Provisions unless otherwise noted.

## Schedule of Items (Itemized Bid Sheet)

Letting Date: Monday, May 29, 2023 9:00 AM

---

**Contract ID:** 23.033 Culvert  
**Location:** Beckett Rd Duck Creek  
**Description:** Beckett Rd Culvert

---

<b>Project Number:</b> 23.033 Culvert	<b>Project Engineer:</b> Rebecca Rivard, P.E.
<b>Estimate Number:</b> 1	<b>Date Created:</b> 4/26/2023
<b>Project Type:</b> Miscellaneous	<b>Fed/State #:</b>
<b>Location:</b> Beckett Rd	<b>Fed Item:</b>
Duck Creek	<b>Control Section:</b>
<b>Description:</b> Beckett Rd Culvert	

---

**Instructions to Bidders:** IMPORTANT NOTICE:  
If the proposal establishes a maximum price for any of the following work items, and if you bid a price higher than that maximum price, your bid will be considered to have quoted the maximum price and your bid total will be adjusted to reflect that maximum price.

If the proposal provides a specified price for any of the following work items, and if you bid a price higher or lower than that specified price, your bid will be adjusted to reflect that specified price.

If your bid is the lowest accepted bid, and if you refuse to accept the award of the contract due to the change in what you quoted as a maximum or specified price, you will forfeit your proposal guaranty.

Pay Item	Description	Quantity	Units	Unit Price		Bid Amount	
				Dollars	Cts	Dollars	Cts
4017001	_ Culv, CSP Arch, CI A, 117 inch by 79 inch	85	Ft				
<b>Total Bid:</b>							

**Contractor:** \_\_\_\_\_

\_\_\_\_\_  
(Signature)

\_\_\_\_\_  
(Date)

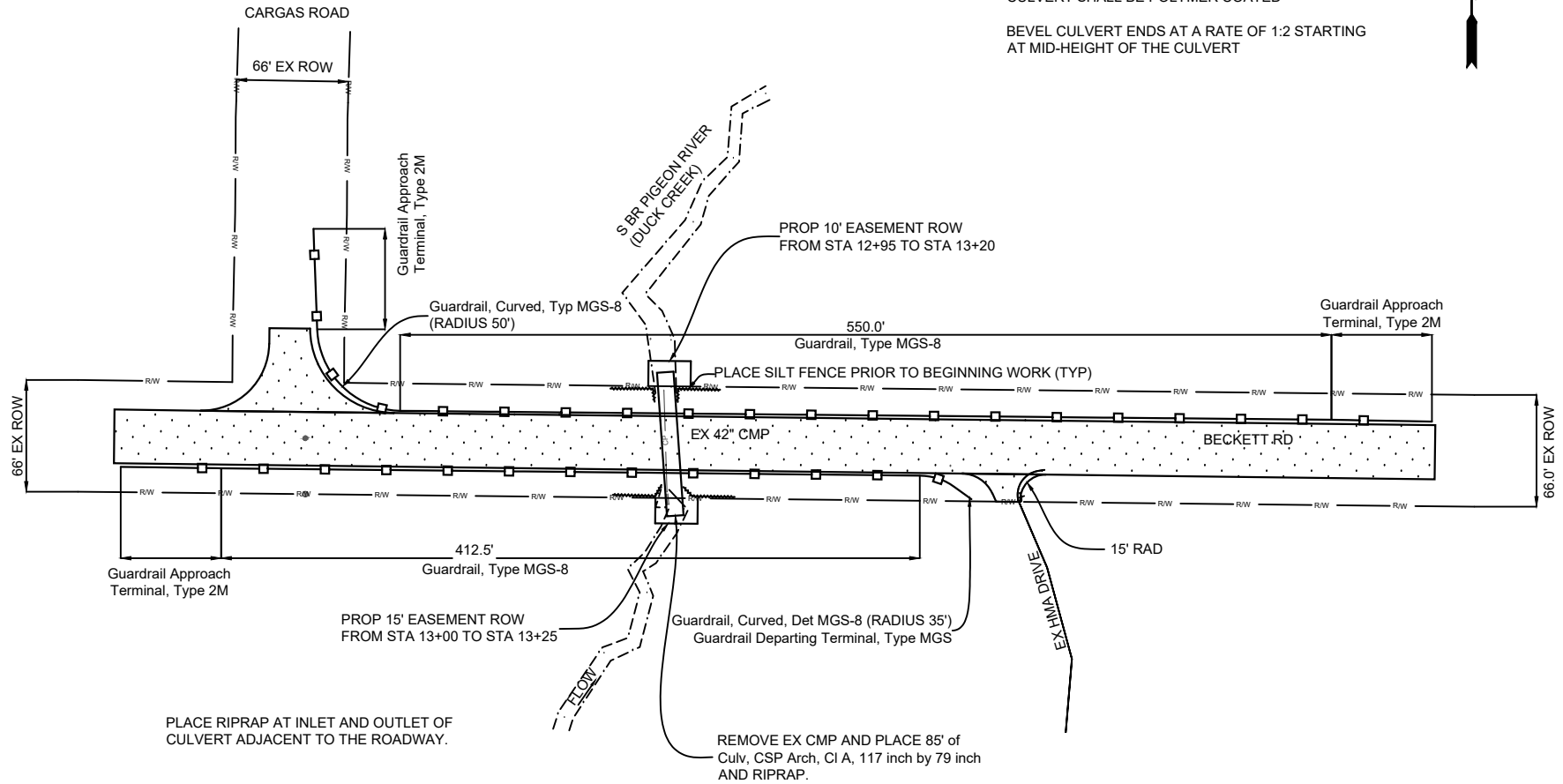
**CULVERT NOTES:**

CULVERT CORRUGATIONS SHALL BE 3" X 1"

CULVERT SHALL BE MADE OF 12 GAUGE STEEL

CULVERT SHALL BE POLYMER COATED

BEVEL CULVERT ENDS AT A RATE OF 1:2 STARTING AT MID-HEIGHT OF THE CULVERT



DURING STREAM ENCLOSURE ACTIVITIES AND ALL CONSTRUCTION ACTIVITIES CONTRACTOR WILL PLACE EROSION CONTROL MEASURES TO PREVENT SEDIMENT FROM ENTERING THE WATERWAY.

ALL EROSION CONTROL ITEMS MUST BE WILDLIFE FRIENDLY AND CONTAIN NO PLASTIC NETTING

THE USE OF COAL TAR SEALANTS ARE NOT ALLOWED.

ALL RIPRAP WILL BE ROUNDED FIELD STONE PER THE MDNR NATURAL RIVERS PERMIT.

ALL SEED WILL BE NATIVE SEED FREE OF INVASIVE SPECIES.

CONTACT HURON ENGINEERING PRIOR TO PLACEMENT OF THE CULVERT, HURON SHALL BE ON-SITE DURING INSTALLATION.

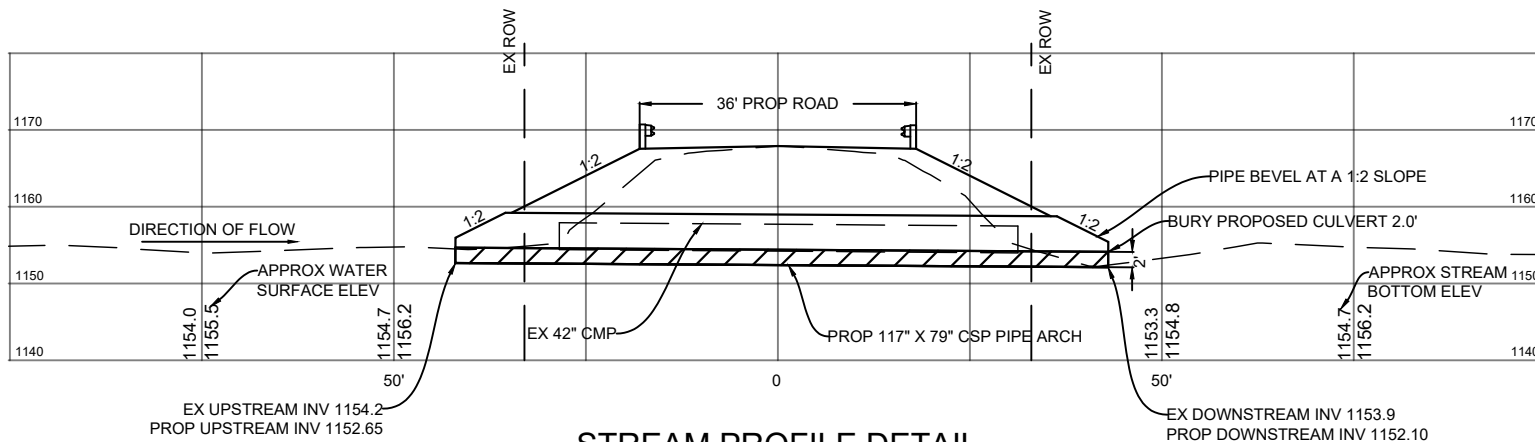
BECKETT RD CRUSH AND SHAPE PROJECT  
FROM ¼ MILE WEST OF CARGAS ROAD TO  
WHEELER ROAD

**CULVERT DETAIL**

CLIENT:  
OTSEGO COUNTY ROAD COMMISSION

DATE  
04/24/2023  
DRN  
MRT  
CHD  
RER  
SCALE  
NA





BECKETT RD CRUSH AND SHAPE PROJECT FROM ¼ MILE WEST OF CARGAS ROAD TO WHEELER ROAD <b>STREAM PROFILE</b>	DATE	
	DRN	
	MRT	
	CHD	
CLIENT:	SCALE	
OTSEGO COUNTY ROAD COMMISSION	NA	